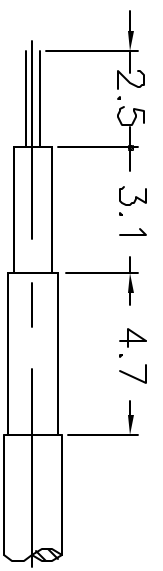
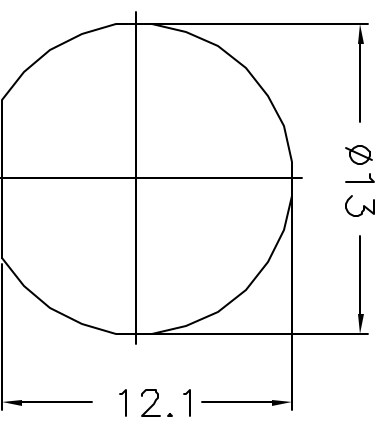


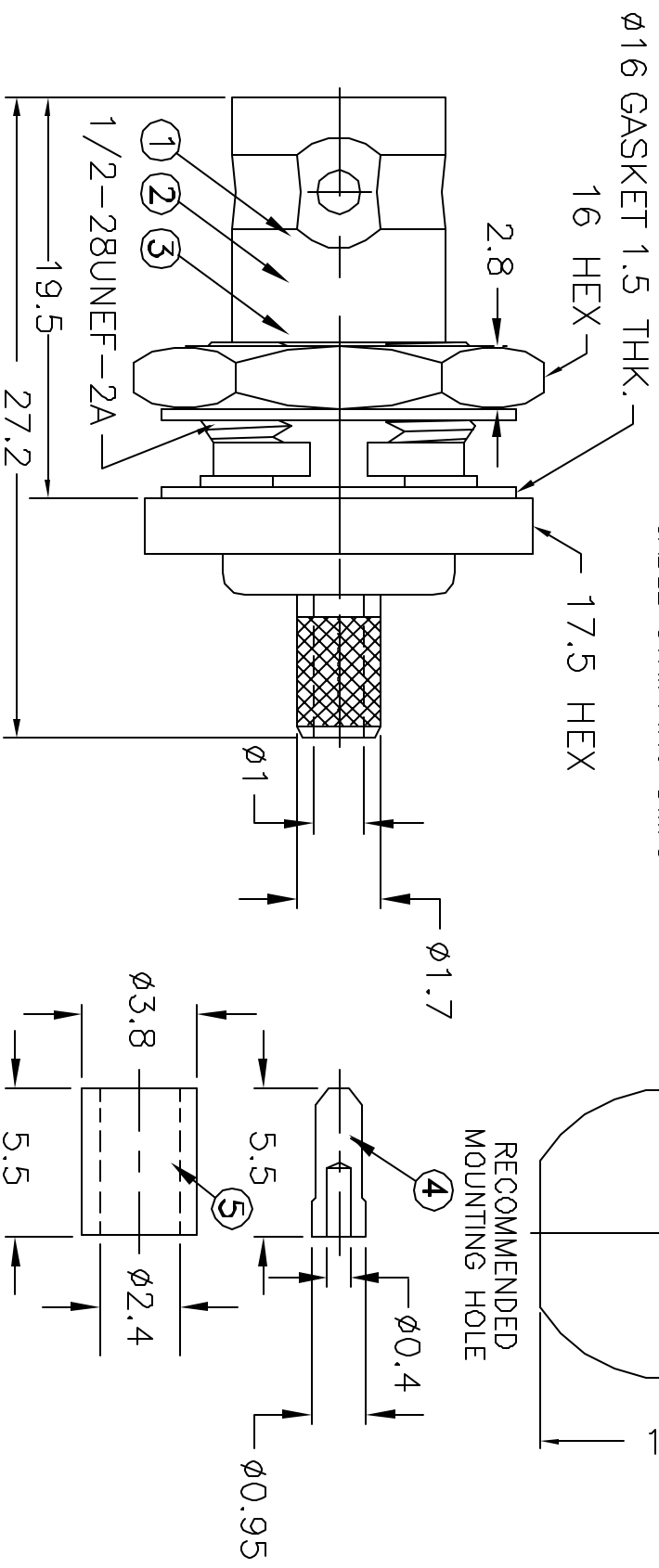
REVISIONS		DATE	DWG. NO.	APPROVED	SH	REV.
ZONE	LTR	DESCRIPTION				A



RECOMMENDED  
CABLE STRIPPING DIM'S



RECOMMENDED  
MOUNTING HOLE



DESCRIPTION	MATERIAL	FINISH	QTY.	DIMENSIONS ARE IN MILLIMETERS UNLESS OTHERWISE SPECIFIED TOLERANCES ARE:		APPROVALS		DATE	TITLE	SCALE	PART NO.	SHEET
1 BODY	BRASS	NICKEL	1	0.5-8 = ± 0.2	DRAWN	B. BURTON	4/10/95		<b>Connector Corporation</b> BNG BULKHEAD GRIMP JACK (FOR RG-178B/U,196A/U CABLE)	3.5:1	112522	1 OF 1
2 INSULATOR	DELRIN	NATURAL	1	8-30 = ± 0.4	CHECKED							
3 CONTACT PIN	PHOS. BRONZE	GOLD	1	30-120 = ± 0.8	ISSUED							
4 CONTACT PIN	BRASS	GOLD	1	120-315 = ± 1								
5 FERRULE	COPPER	NICKEL	1	315-1000 = ± 1.6 1000-2000 = ± 2.4								
				DO NOT SCALE DRAWING								